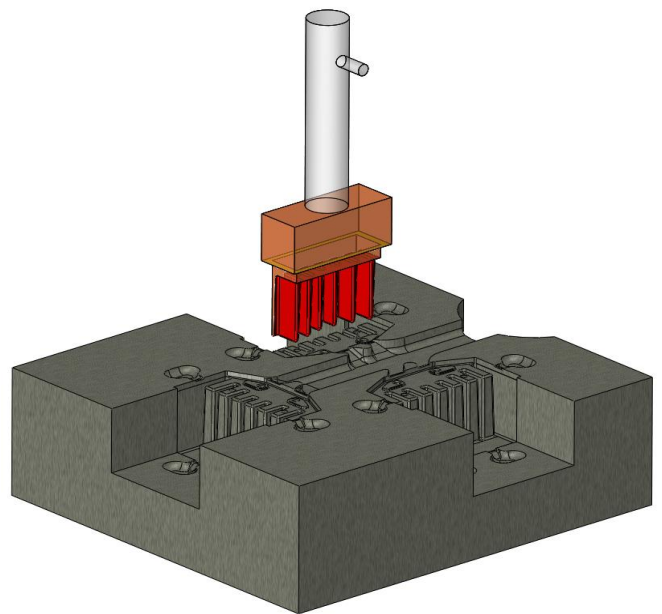
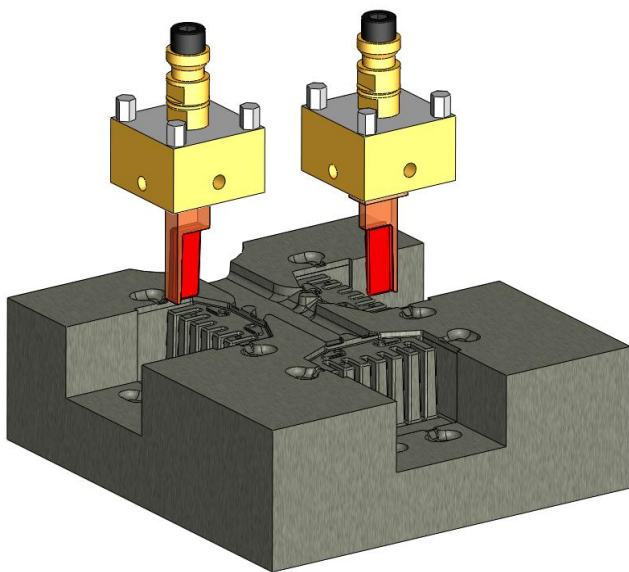




ElectrodeWorks

ElectrodeWorks, Electrodes for CAMWorks, is an optional module used to design electrodes for electrical discharge machining. The comprehensive and easy to use interface, automates all aspects of the calculation and design of EDM electrodes including design, management, documentation and manufacturing.



SINGLE ENGINEERING MODEL FOR ADVANCED CORE/CAVITY DESIGN DEVELOPMENT

- Based on core SolidWorks/ CAMWorks Solids modeling tools. This provides flexibility to further edit/ modify the resultant electrode.
- Fully integrated within SolidWorks/CAMWorks Solids to perform modeling, detailing, and core/cavity development
- Seamless integration assures the complete parametric association of data.

PARAMETRIC HOLDER LIBRARY

- Includes standard elements from Erowa and 3R library.
- Integrates any user-created parametric shapes, automatically displaying parameters in electrode dialogue box

Features:

Electrode feature tree	Dedicated ElectrodeWorks property manager tree to create and edit electrodes, clearances and spark gap.
Automatic electrode size, shape and positioning according to face selection	Enables automatic positioning and sizing according to burn geometry. Semiautomatic and exact surface options for creating continuous or gap spaced electrodes.
Advanced clearance functionality	Enables the creation of clearance between the model geometry and the electrode using tangent, normal and draft methods.
Geometric Spark and Pattern gap	Spark & Pattern gaps can be created on the geometry to generate an exact replica of the electrode.
Electrode copy by feature recognition	Allows copying of electrodes to similar feature(s) on the part. Provides automatic preview and selection/deselection of all possible electrode positions.
EDM technology definition	Supports material selection, surface finish definition and burn technology as part model file properties.
Z-level Definition	Rough and finish spark gap pattern methods and series definition as well as safety z-level definition for each spark gap series.
Drafting	Drawings documentation is systematic, instantaneous and complete including drawings for electrode manufacturing and the EDM burn process.
Output	Report are generated as Excel files and can be used to manage and store manufacturing information including the zero point for machine positioning and orientation, EDM technology information, and burn positioning.
Simulation of electrode movement	Allows for interference checking.

CAMWorks Modules:

CAMWorks is available in a variety of bundles or combinations:

- 2½ Axis, 3 Axis, 4 and 5 Axis Preposition Milling
- 4 and 5 Axis Simultaneous Milling
- 2 and 4 Axis Turning
- Rotary Milling
- 2 and 4 Axis Wire EDM

Includes: SolidProfessor Multimedia Training Course - SolidWorks Core Concepts & CAMWorks Mill, Turning & Wire EDM Fundamentals

Add-ons: Machine Simulator, CAMWorks Utilities



Geometric Technologies
15974 N. 77th Street # 103,
Scottsdale, AZ 85260
www.camworks.com

Authorized Reseller

Geometric Technologies sells CAMWorks through a worldwide network of VAR's. You can find your local CAMWorks reseller on www.camworks.com

CAMWorks Solids integrated solid modeler can be packaged with CAMWorks. This allows CAMWorks to function as a standalone product without the need to purchase an additional solid modeler.