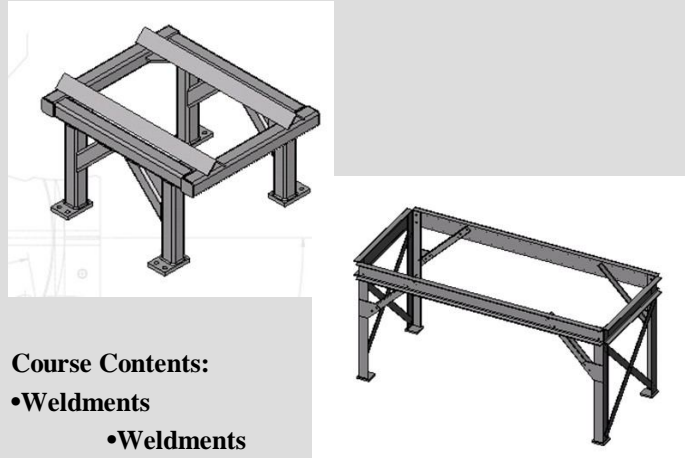


SolidWorks Weldments Course Information

This course focuses on how to create welded structures with standard structural members. Weld beads are also covered.



Course Contents:

- Weldments
 - Weldments
 - Structural Members
 - Trimming Structural Members
 - Adding Plates
 - Weld Beads
 - Using Symmetry
 - Gussets and End Caps
 - Profile Sketches
 - Working with Weldments
 - Managing the Cut List
 - Custom Properties
 - Weldment Drawings
- Working with Pipes and Tubing
 - Working with Pipes and Tubing
 - 3D Sketching
 - Weldments and Sheet Metal in Assemblies

Course Length: 1 day

Hours: 8:30am – 4:30pm

Prerequisite:

- SolidWorks Essentials

Includes:

- Color Training Manual
- Completion Certificate



Concepts In Production, LLC

Reducing Time to Market

Romans 8:28

- Certified Instructors leading training at our state-of-the art facilities
- Classes offered in several locations in MS, AL, and TN
- CIP is an Authorized SolidWorks and Simulation Training Center
- CIP offers classes on customer site
Contact the Sales Dept
662-256-8333
- Schedule:
www.conceptsinproduction.com
- Contact:
info@conceptsinproduction.com