

SolidWorks Drawings Course Information

This course teaches how to make drawings of SolidWorks parts and assemblies. Creation of various views, mark dimensions to display, create associative notes, working with multiple sheets, customizing title blocks, assembly drawing views, bill of materials and tables, performance and display issues and drawing references and comparison are covered in this course.

Course Length: 2 days

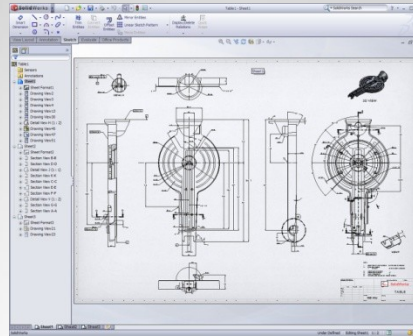
Hours: 8:30am – 4:30pm

Prerequisite:

•SolidWorks Essentials

Includes:

- Color Training Manual
- Completion Certificate



Course Contents:

- Drawings Sheets and Views
 - Creation of various views such as Projected, Section, Detail, etc.
 - Display hidden lines for select features
- Dimensions
 - Mark dimensions to display in drawing views
 - "Driving" dimensions vs. "Driven" dimensions
 - Add tolerances
- Annotations
 - Create associative notes
 - Working with multiple sheets. Move/copy views to additional sheets
 - Create custom symbols that can be shared among other users
- Sheet Formats and Templates
 - Customizing title blocks to automate field values
 - Create a template with predefined views for future use
 - Inserting a custom SolidWorks title block/border into a new sheet
 - Use an existing .dwg for a title block/border
- Assembly Drawing Views
 - Broken out section views
 - Alternate position views to show movement
 - The power of assembly display states in drawing views
- Bill of Materials and Tables
 - Customizing the BOM to contain user defined properties
 - The benefit of design tables in drawings and how to present them
- Performance and Display Issues
 - "Detached" drawings increases performance
- Drawings References and Comparison
 - Reuse a drawing by changing its part reference
 - Compare drawings to determine differences
 - Ensure drawings adhere to a company standard



Concepts In Production, LLC

Reducing Time to Market

Romans 8:28

•Certified Instructors leading training at our state-of-the art facilities

•Classes offered in several locations in MS, AL, and TN

•CIP is an Authorized SolidWorks and Simulation Training Center

•CIP offers classes on customer site
Contact the Sales Dept
662-256-8333

•Schedule:
www.conceptsinproduction.com

•Contact:
info@conceptsinproduction.com