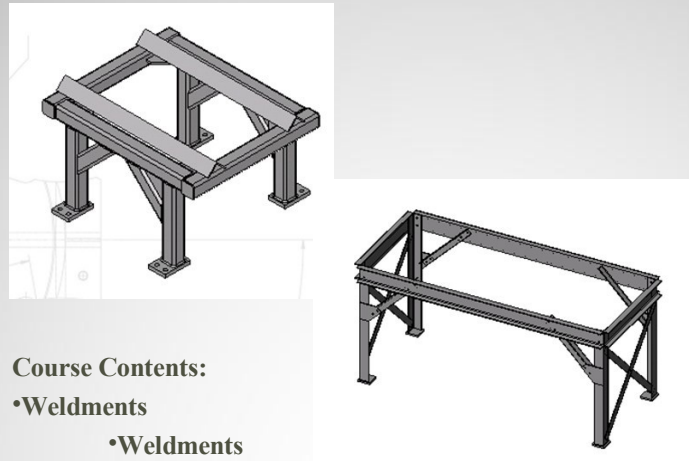


SolidWorks Weldments Course Information

This course focuses on how to create welded structures with standard structural members. Weld beads are also covered.



Course Contents:

•Weldments

- Weldments
- Structural Members
- Trimming Structural Members
- Adding Plates
- Weld Beads
- Using Symmetry
- Gussets and End Caps
- Profile Sketches
- Working with Weldments
- Managing the Cut List
- Custom Properties
- Weldment Drawings

•Working with Pipes and Tubing

- Working with Pipes and Tubing
- 3D Sketching
- Weldments and Sheet Metal in Assemblies



Concepts In Production, LLC

Reducing Time to Market

Romans 8:28

Course Length: 1 day

Hours: 8:30am – 4:30pm

Prerequisite:

- SolidWorks Essentials

Includes:

- Color Training Manual
- Completion Certificate

- Certified Instructors leading training at our state-of-the art facilities

- Classes offered in several locations in MS, AL, and TN

- CIP is an Authorized SolidWorks and Simulation Training Center

- CIP offers classes on customer site
Contact the Sales Dept
662-256-8333

- Schedule:
www.conceptsinproduction.com

- Contact:
info@conceptsinproduction.com