

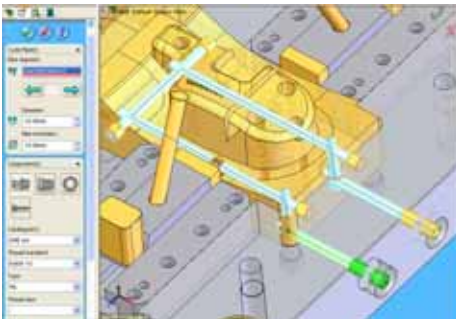
# MoldWorks Product Overview

**MoldWorks®** the preferred mold base solution within **SolidWorks®**

**MoldWorks** is the most powerful and flexible solution available today for the mold industry.

## FEATURES

- Over 15 commercial mold base catalogues.
- Wide range of standard components.
- Heat Exchange module.
- Automatic slider and lifter generation.
- Fully associative component and plate modification.
- Integrated user library.
- Automatic drawing creation.



Heat Exchange Preview

**Automatic size estimation** and creation of an initial mold assembly from a choice of over 15 standard commercial libraries, in minutes. Easy to use dialogues and dynamic preview allow you to visualize the exact standard or non-standard mold base to suit your insert design, and create it with a click of a button. You are able to estimate the cost of the mold on the spot, and speed up the initial mold design by up to 90%.

**A Dedicated Component Wizard**, which guides you through the creation of standard (by default) and non-standard (through key-in) components and their respective holes, according to “oversize” values, in the relevant plates. Following familiar design practices, and using traditional industry terminology, our mold design oriented environment keeps you focused on detailing the mold without having to worry about the mechanism of the underlying CAD system.

**A Heat Exchange module** which creates cooling cycles from 2D and 3D sketches. A dynamic preview is created showing pipe extensions, default components and collisions. You can then browse through the pipe segments one by one using a dialogue similar to the Hole Wizard, and at the same time change extension direction (one or both sides where relevant), diameter and extension parameters as well as component types (**connectors, plugs, baffles** or **o-rings**) from any of the available catalogues. A special folder is created in the **MoldWorks FeatureManager** including extensive modification options.

**A User Library facility** to create your own component palette folders allows you to customize MoldWorks to your own specifications by leveraging standard SolidWorks tools. This feature extends the functionality of MoldWorks, customizing it to your needs, capturing company know-how, and making sure that you will always be able to complete your work within the mold design environment.

**Modification tools** at the mold design level include collision and thin wall identification. With these tools you can quickly and efficiently modify components, at the same time ensuring the integrity of the mold at every stage, giving you unparalleled flexibility during the design process.

**Auto Drafting** functionality saving the user hours of the tedious task of dimensioning all the plates. Furthermore, since MoldWorks maintains complete associativity, if the user modifies the plate, then the detail drawing of the plate automatically updates ensuring in context design.



# MoldWorks /Technical Specifications

## PARAMETRIC MOLD DESIGN

- Based on 3D solid parametric technology.
- Mold plates connected through mating and equations.
- Components and component holes (including “oversize” values) created according to their functional behavior.
- Component positioning controlled through parametric sketches.
- Automatic component recalculation after mold plate(s) modification.
- Full 3D Heat Exchange system creation.

## SINGLE ENGINEERING MODEL FOR ADVANCED MOLD DESIGN DEVELOPMENT

- One window integration with SolidWorks (Gold Partner Status).
- Seamless ensemble to perform modeling, detailing, and mold base development.
- Desktop integrated solution without external file translation.

## MOLDWORKS FUNCTIONALITY

### New Mold

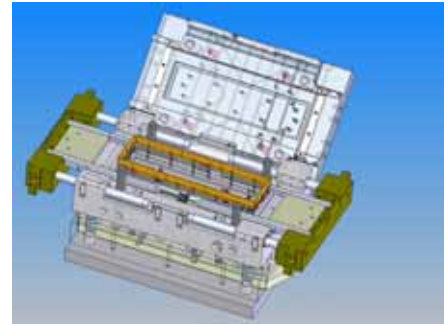
- Automatic mold size estimation.
- Integration of inserts, sliders and lifters.
- Over fifteen popular catalogs of standard components including:  
**D-M-E English and Metric, HASCO English and Metric, NATIONAL, RABOURDIN, FUTABA, E.O.C., STRACK, PEDROTTI, SIDECO, P.C.S., PROGRESSIVE, MEUSBERGER (including 3 plate), VAP, OMNI, MUD, LKM, ...**
- Mold composed of standard nine-plate mold or non-standard base.
- Plate thickness parametrically driven.
- Initial standard component selection according to specific catalogue options.
- One click creation of initial mold base, including selected standard component options.

### Components

- Component parameters retrieved from standard catalogs.
- Automatic detection of plates to be drilled for components.
- Components created using oversize parametric dimensions can be customized to fit standards of your tool shop.
- Supported components:  
**Leader pins, Bushings, Ejectors, Sleeves, Screws, Shoulder screws, Dowel pins, Tabular dowel pins, Lifting holes, Conical interlocks, O-rings, Spru Bushings, Ejector guides, Support pillars, Locating rings, Spacers, Springs, Stamps, ...**
- Modification of component or plates at any stage of the design process, and automatic updating of the mold with intelligent healing capabilities.
- Automatic 2D drafting with ordinate dimensions.

### Heat Exchange

- Automatic creation of cooling cycle with pipes and components on **2D** and/or **3D** sketches according to intelligent analysis algorithm.
- Dynamic preview and modification of pipe extension direction, component types and parameters while browsing through the cycle.
- Modification and management of cooling environment through virtual **MoldWorks FeatureManager** tree.



Courtesy of Regba

## MISCELLANEOUS

### Transformation

- Components can be copied by translation/reflection/rotation etc.

### Bill of Material

- All the plates, inserts, component information, dimensions and catalog numbers are integrated into the SolidWorks standard BOM.

### Change Catalog

- User can use components from different catalogs at any time.

### Collision Checking

- Analysis of mold components detects collisions.

### Screw hole and rule table

- Excel driven hole definition and screw rule table.

## System requirements

- Microsoft Windows XP Professional or Windows 2000.
- Intel Pentium® or AMD Athlon™ class processor
- Prerequisites: SolidWorks.

## Authorized Reseller

### R&B Americas

Phone: 262-997 6384

Fax: 262-997 6387

Email: Sales@RnBUSA.com

### R&B Headquarters

Toll Free: +1-800-8443589

Phone: +972-3-9233522

Fax: +972-3-9233088

Email: Sales@RnB.co.il

### R&B Central Europe

Phone: +49-7141-20755-0

Fax: +49-7141-20755-20

Email: Sales@RnBGEMANY.de

