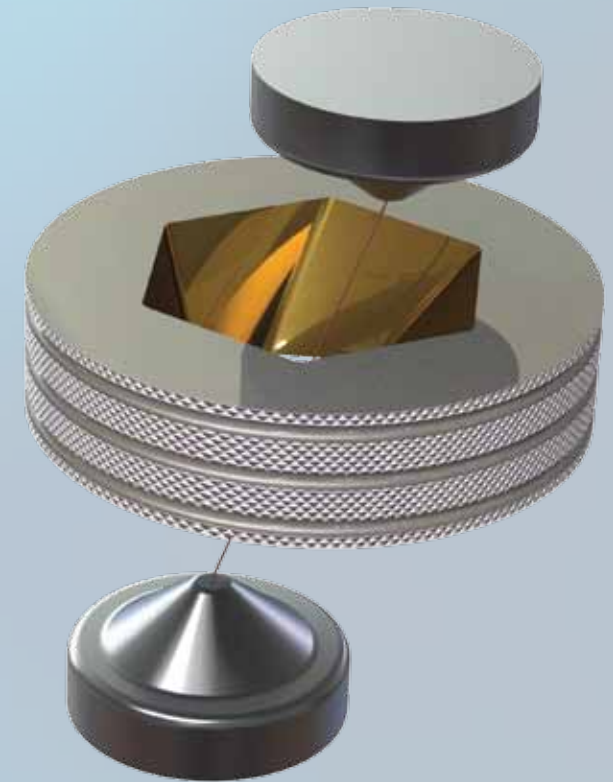
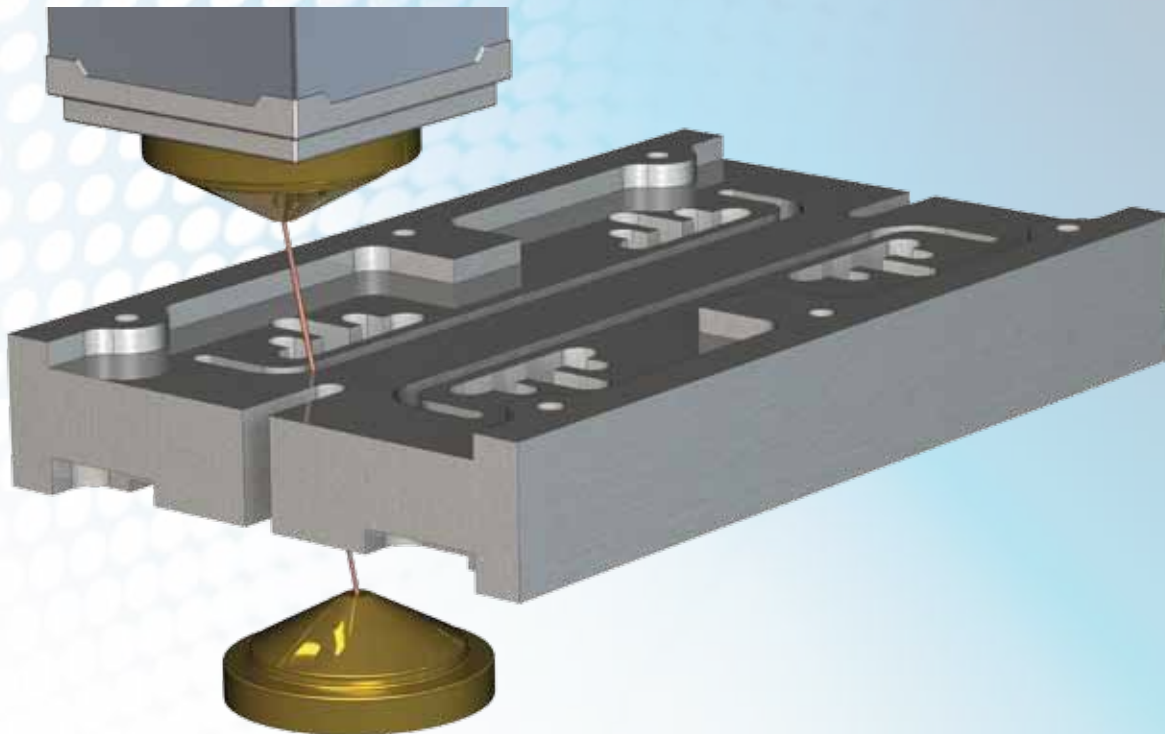


CAMWorks WireEDM

- **CAMWorks Wire EDM** is designed and developed specifically for 2 and 4 axis Wire EDM programming - resulting in a more intuitive, automatic, and efficient method of generating EDM toolpaths and machine code.
- **Automatic Feature Recognition (AFR)** automatically recognizes punch, die and profile EDM features on native SolidWorks part models or on solid models imported via STEP, IGES, SAT, etc. Feature based machining reduces programming time by as much as 90% compared to traditional CAM software.
- **Interactive Feature Recognition (IFR)** provides an

intuitive and easy to use interface for defining 4 axis geometry. Sync curves can be defined automatically or interactively.

- **2 and 4 Axis Support** for punch, die and profile operations. Operations automatically generate rough, tab, and skim cuts on 2 Axis and 4 Axis features.
- **Knowledge-based machining** allows you to capture and reuse your programmers' and machinists' best practices using the patented TechDB (Technology Database). The TechDB reduces programming time by as much as 80% and provides a company owned database to store employee knowledge and skill.



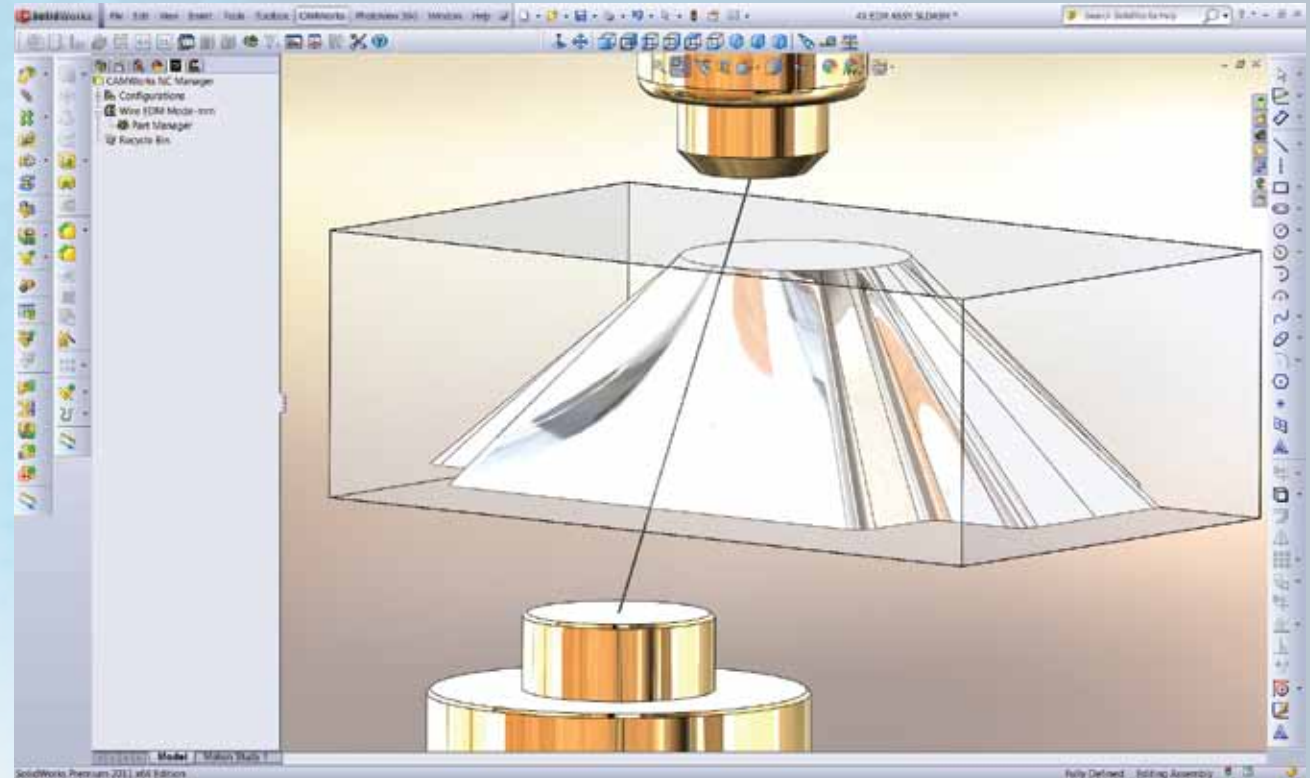
- **Full model to toolpath associativity** updates the toolpaths automatically to design changes made to the part model.
- **Seamless integration** inside of SolidWorks means that the design model and CAM model are one in the same and a similar interface with the same intuitive menus, toolbars and view manipulation, allows users to quickly master the software.
- **Automatically generate land and taper toolpaths.**



permanently in the cutting conditions database.

- **Stock Definition**-EDM stock shapes can be defined as a part bounding box, as an extruded SolidWorks sketch, or using an STL file.
- **Simulation and validation** allow you to easily and

accurately step through or continuously simulate the entire machining order showing the wire and wire guides. A model compare feature is also included, to accurately compare the machined model to the design model to validate program accuracy, so you can be sure you'll cut it right the first time!



- **Cutting Conditions Database** Optional cutting conditions database is associated to the post processor for applicable machine makes and models. The default data is based on information from the machine tool manufacturer and can be modified. Edit cutting conditions for the current operation and optionally save parameters



Hello, I'm from HCL's Engineering and R&D Services. We enable technology led organizations to go to market with innovative products and solutions. We partner with our customers in building world class products and creating associated solution delivery ecosystems to help bring market leadership. We develop engineering products, solutions and platforms across Aerospace and Defense, Automotive, Consumer Electronics, Software, Online, Industrial Manufacturing, Medical Devices, Networking & Telecom, Office Automation, Semiconductor and Servers & Storage for our customers.

For more details contact: inquiries@camworks.com
Visit our website: <http://www.camworks.com>

Contact us

US: +1.480.367.0132
Europe: +49.711.49.039.730
APAC: +91.22.67056880